

REV		DESCRIPTION		DATE	DRN	CHK	AP/VD
A	---	FIRST RELEASE		03-05-29	YD	BC	BC
B	575	CHANGE OPERATING RANGE		03-07-30	YD	BC	BC
C	649	CHANGE OPER TEMPERATURE		2004/08	XY	XY	XY
D	685	RS-485 DEFAULT		05-02-04	DH	CG	DH
E	785	POTENTIOMETER ADJUSTMENT		06-10-04	CLG	CLG	XY

SPECIFICATIONS:

POWER SUPPLY
 24 VAC or 24 VDC (Nominal)
 Less than 100 milliamps operating
 Allow 250 milliamps turn-on surge
 Range: DC: 15 to 40 VDC
 AC: 12 to 28 VAC

SIGNAL OUTPUT
 4-20 mA linear
 OR
 2-10 VDC linear

OPERATING RANGE
 SEE Sensor Selection Table

SENSOR
 Electrochemical sensor

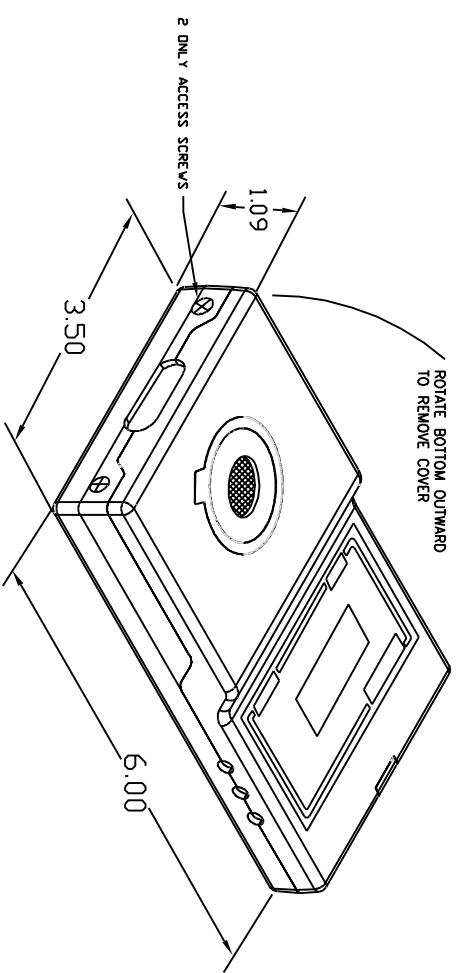
ENVIRONMENT
 Temperature: -4°F to 104°F (-20°C to 40°C)
 Humidity: 0 to 99 % Non-Condensing

SENSOR/TRANSMITTER MOUNTING
 Wall Mounting :
 Mount holes fit standard Switch Box
 CABLE ENTRY
 From back of enclosure 94 V-0

ENCLOSURE
 ABS Plastic Fire Retardant
 Colour: Pantone - Cool Grey 2U

WIRE
 Connectors: Terminal blocks,
 screw type for lead wire.
 Size: Min. 26 AWG (0.40mm)
 Size: Max. 16 AWG (1.3 mm)

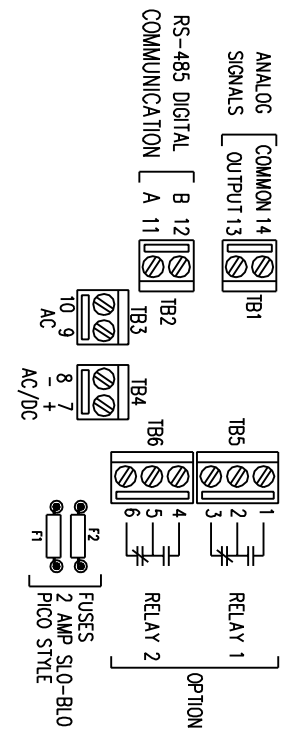
ALARM OPTION
 Relays (2) 1 Amp SPDT
 Buzzer



Sensor Selection Table

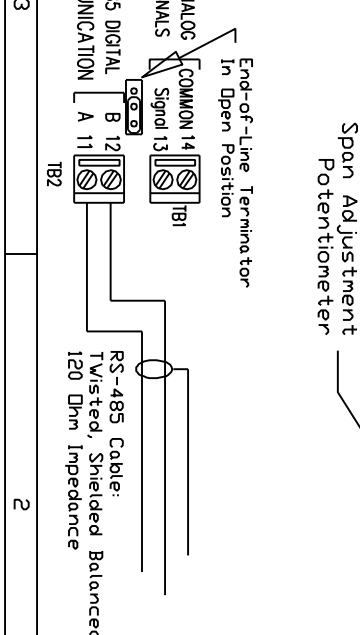
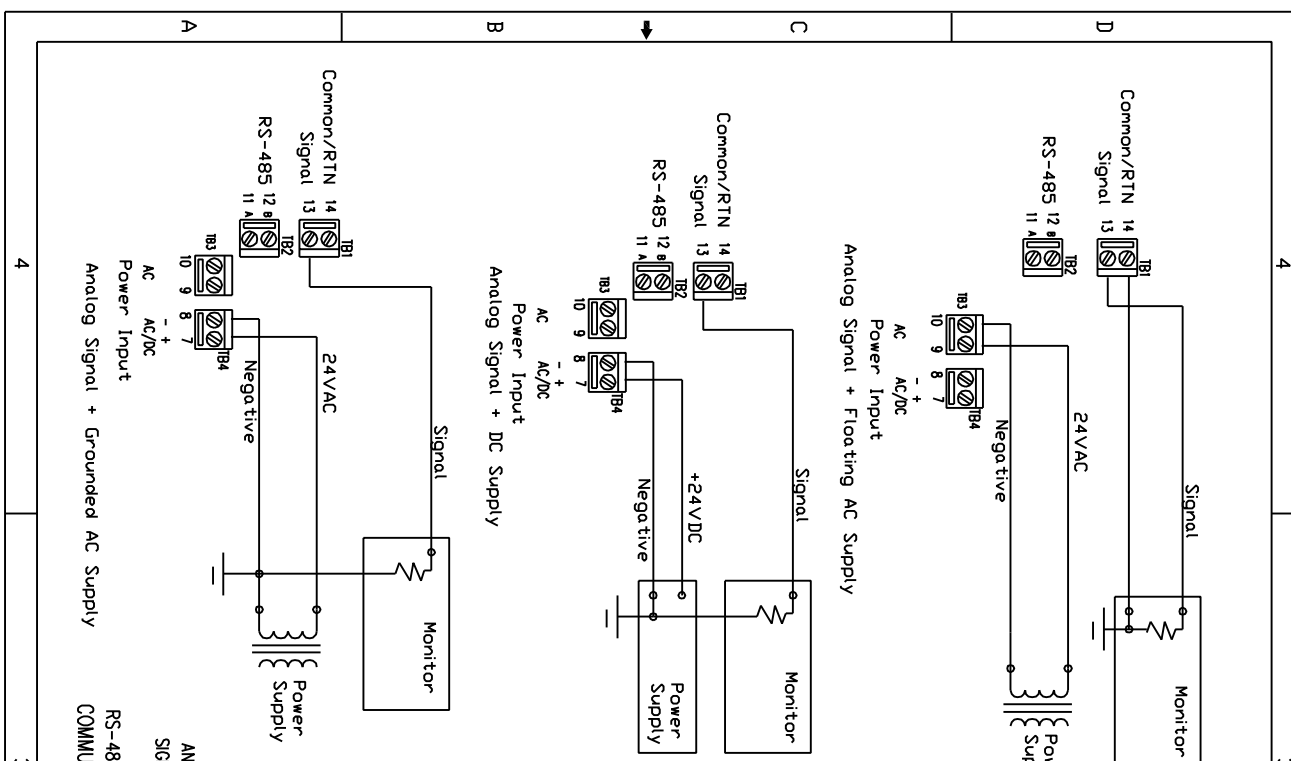
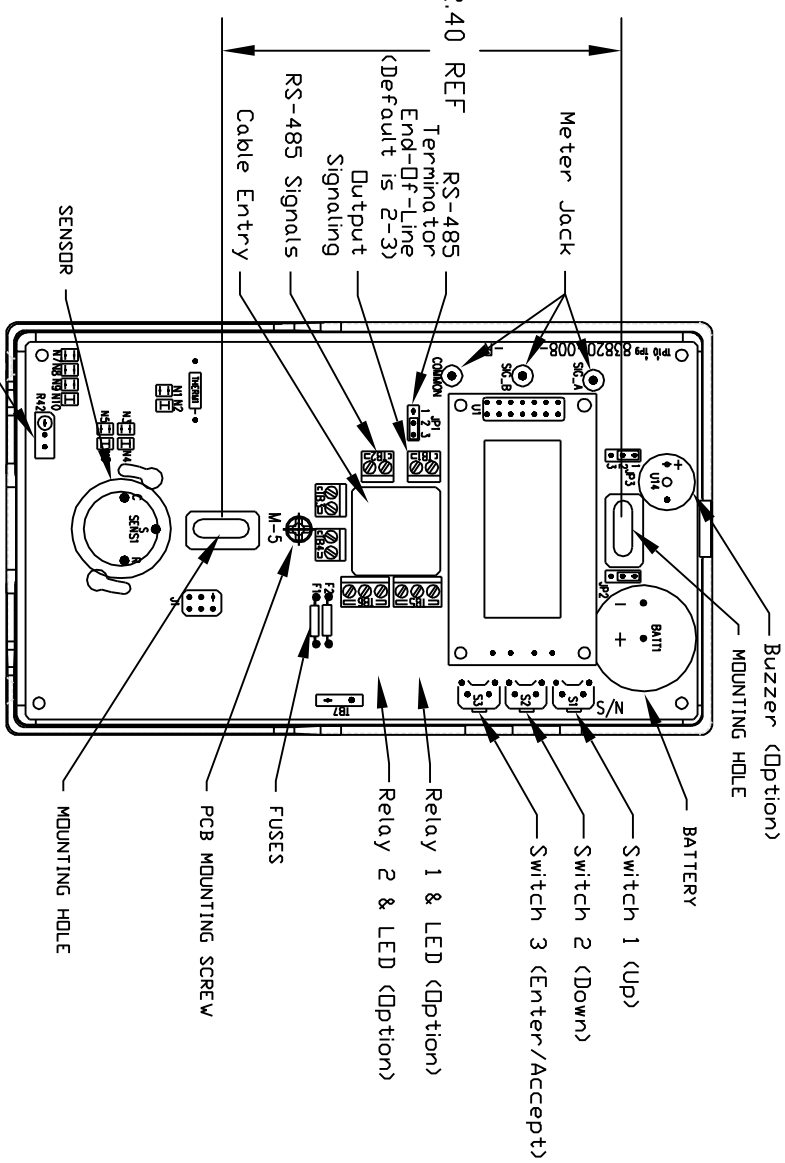
Code	Gas	Symbol	Ranges			Mounting Heights
			Signal Range Standard	Signal Range Maximum	Display Range	
130	Oxygen	O2	25%	25%	25%	4-6 Ft (1.5-2m)
150	Nitrogen Dioxide	NO2	6 PPM	10 PPM	10 PPM	0-2 Ft (0-0.5m)
160	Carbon Monoxide	CO	125	125	125	4-6 Ft (1.5-2m)
190	Nitric Oxide	NO	100	100	100	4-6 Ft (1.5-2m)
220	Ammonia	NH3	50	50	50	0-2 Ft (0-0.5m) From Ceiling

WIRING CONNECTIONS:



DRN	Y.DUBE	03-05-131	QUATROSENSE ENVIRONMENTAL LTD
CHK			RICHMOND, ONTARIO CANADA
ISSN	Y.DUBE	03-05-13	
AP/VD			
QA			
APPLICATION			
M-5 WALL MOUNT INSTALLATION DRAWING			
SIZE	TYPE	DWG NO	REV
B	ID	83850-002-000	E
SCALE	FILE		SHEET 1 OF 2

REVOLUTIONS			
REV	ECD	DESCRIPTION	DATE
ALL	---	SEE SHEET ONE	



DRN	Y. DUBE	03-05-29	QUATROSENSE ENVIRONMENTAL LTD	
CHK	Y. DUBE	03-05-29	RICHMOND, ONTARIO, CANADA	
DISC	Y. DUBE	03-05-29	M-5	
APVD			WALL MOUNT	
QA			INSTALLATION DRAWING	
APPLICATOR			SIZE	TYPE
			B	DWG NO
				83850-002-000
			REV	E
FINISH			SCALE	SHEET 2 OF 2